

# DATA-SHEET

## FOR SOLAR CARPORT SYSTEMS PSC-2-HL

<b>Construction type</b>	L-type, one row
<b>Parking spaces</b>	2 pcs
<b>Numbers of PV</b>	20 pcs.
<b>PV dimensions</b>	PV dimensions - 1722 x 1134 x 30mm
<b>PV layout</b>	Horizontally 5 rows
<b>Tilt angle</b>	12 degrees
<b>Foundation type</b>	Ground screws
<b>Snow load, wind load</b>	Snow: 2.0 kPa / wind: 0.5 kPa
<b>Service life</b>	25 years
<b>Anticorrosion coating</b>	HDG ISO 1461 standard
<b>Painting</b>	Smooth black RAL 9005 (optional)
<b>Water drainage</b>	Optional



ISO 9001:2015

certification

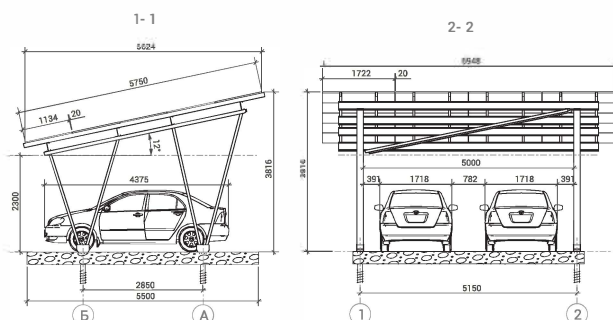
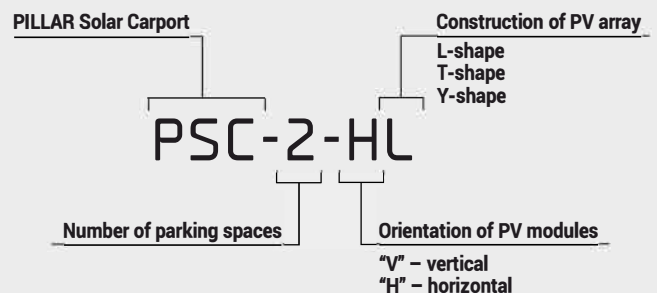


EN 1090-1:2012  
EN 1090-2:2018

**DIN EN ISO 3834-3**



### MODEL ABBREVIATION DESCRIPTION:



INTV spol s.r.o.

Jana Masaryka 252/6, 120 00 Praha 2,  
Czech Republic

+420 236 040 236 ✉ solar@intv.cz